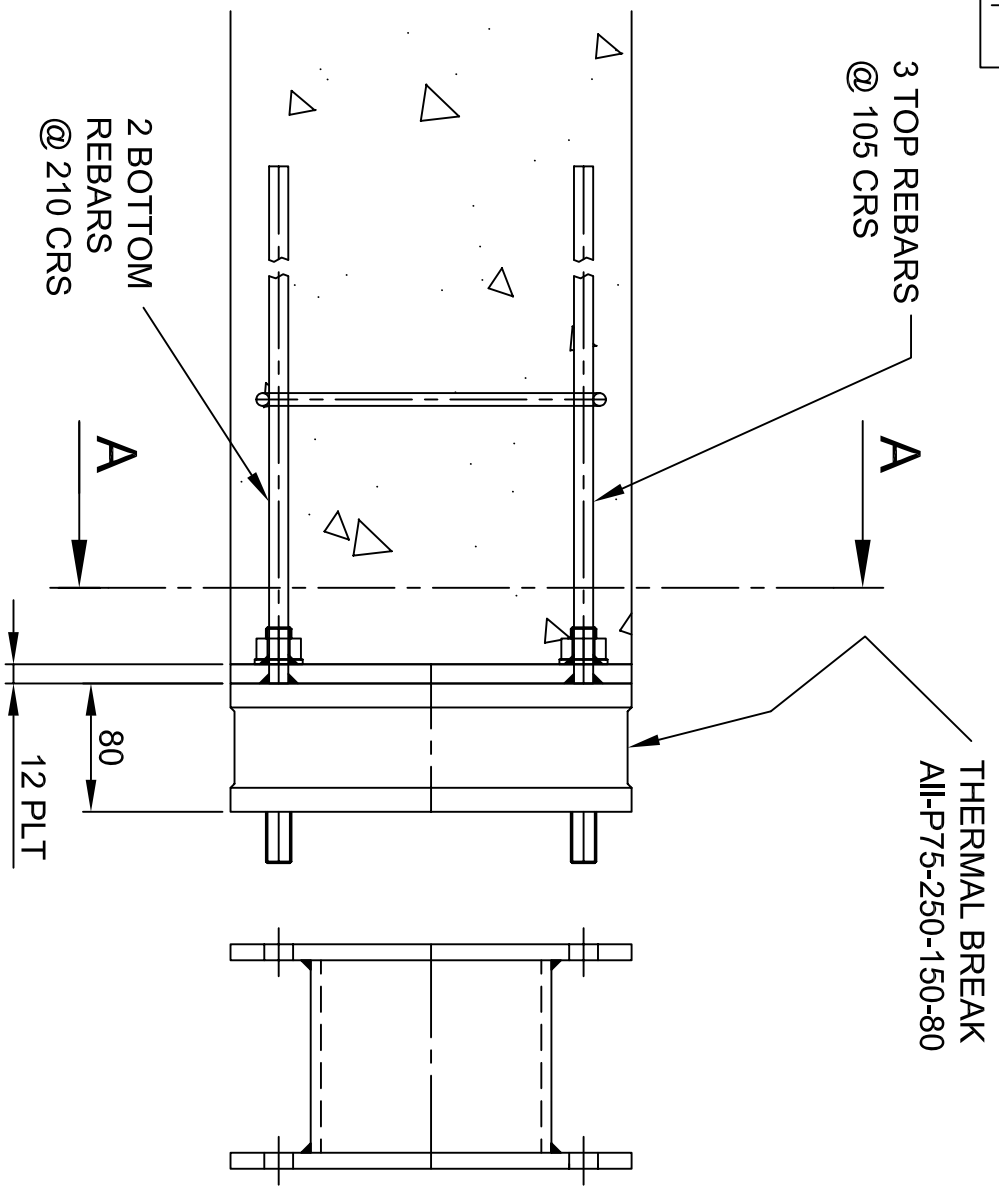
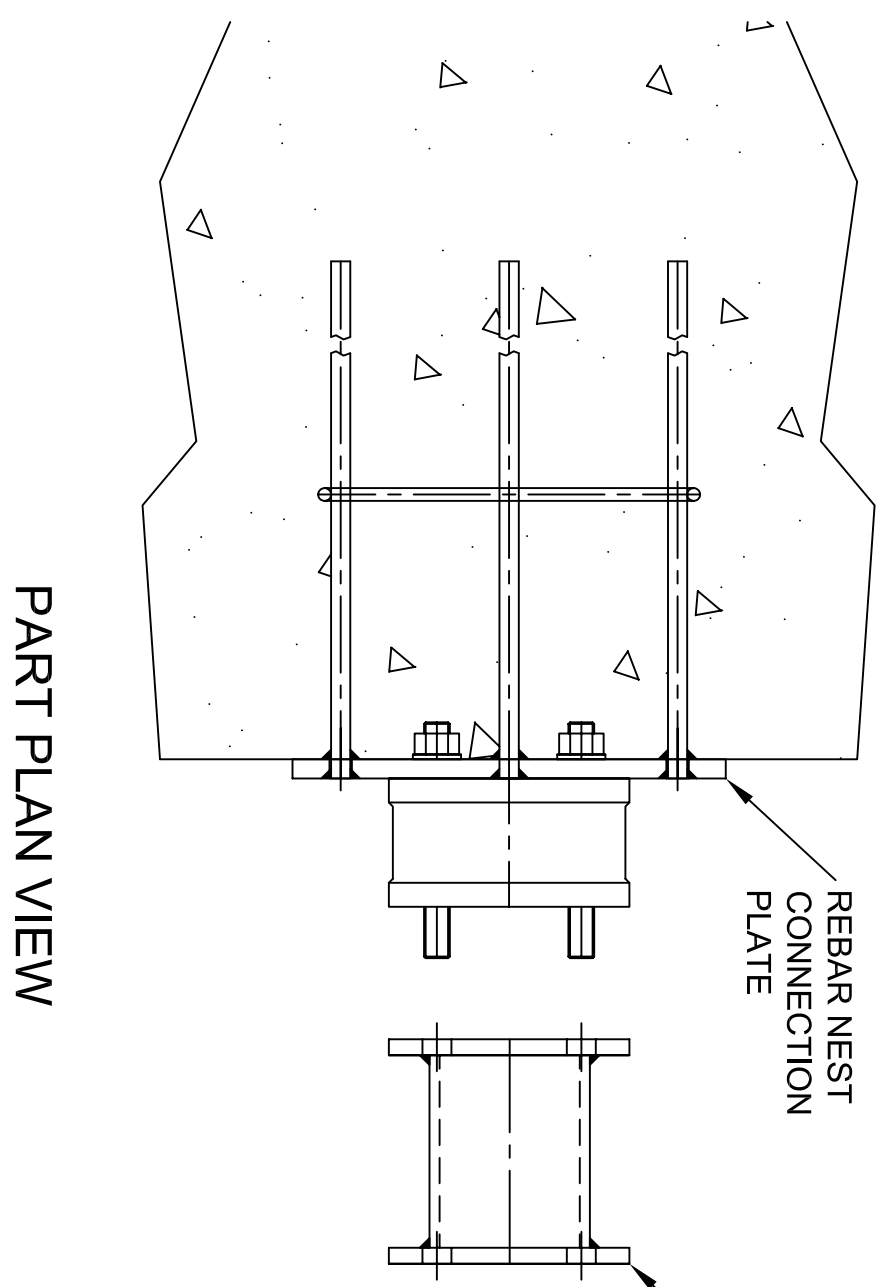
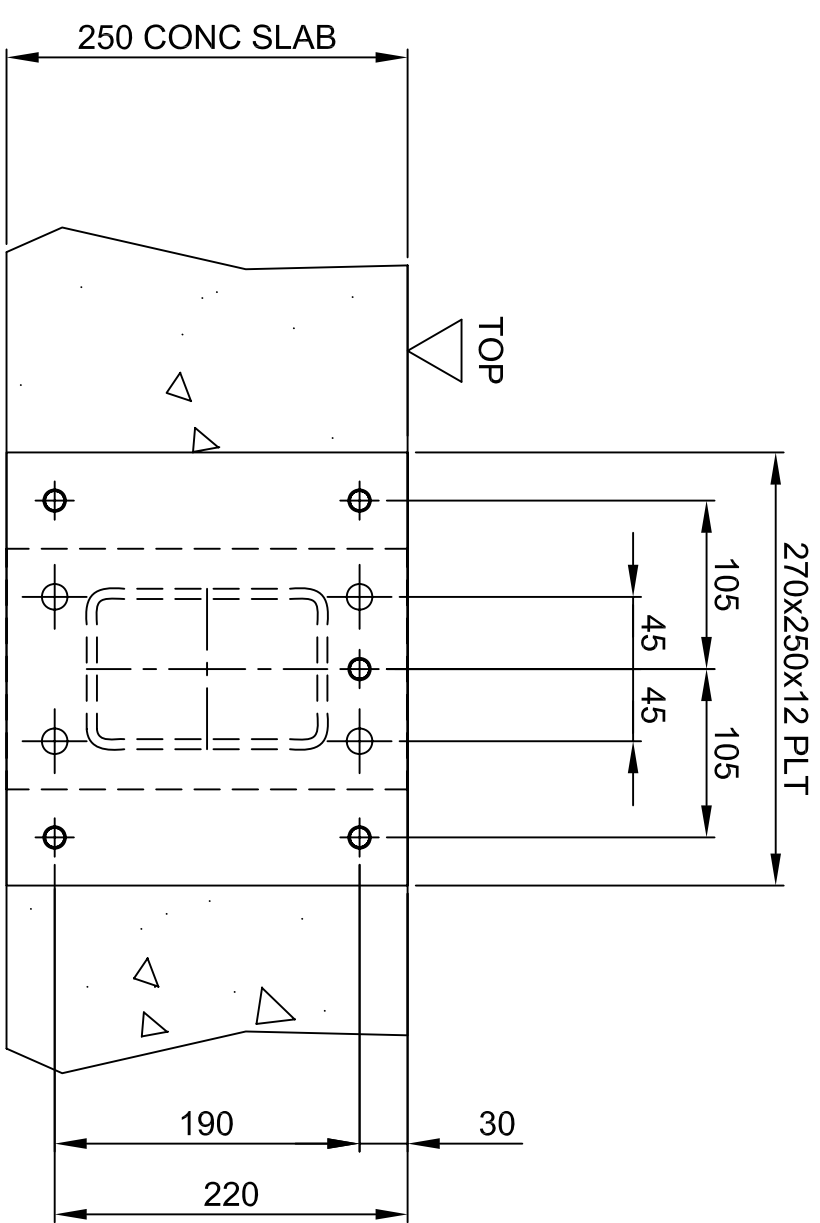




DO NOT SCALE IF IN DOUBT ASK



PART SECTION A-A



PART PLAN VIEW

This drawing and the copyright therein are the property of Archtechnik Ltd, and all information which it contains is confidential. This drawing must not be reproduced or disclosed, nor must any information taken therefrom be

- General Notes**
1. ALL DIMENSIONS ARE IN MILLIMETRES UNLESS OTHERWISE STATED.
  2. GENERAL TOLERANCE IS  $\pm 2$  mm UNLESS OTHERWISE STATED.
  3. REMOVE ALL BURRS AND SHARP EDGES.

**Archtechnik Ltd**  
 Hathern Industrial Estate, Rempstone Road,  
 Normanton-on-Soar, Leicestershire, LE12 5EW  
 Tel 0870 4604831 Fax 0870 4604832

CONTRACT :- ARCHTECHNIK DESIGN

TITLE :- THERMAL BREAK CONNECTION DETAIL FOR CAST-IN-SITU CONCRETE FLOOR SLAB WITH STUB CONNECTOR

DRAWN	DATE	CHECKED	DATE	SCALE
DRAWN JS	DATE 06.08.07	CHECKED	DATE	SCALE 1:4

DWG. No. 00782 REV. -